

# LETTERS & NUMERALS

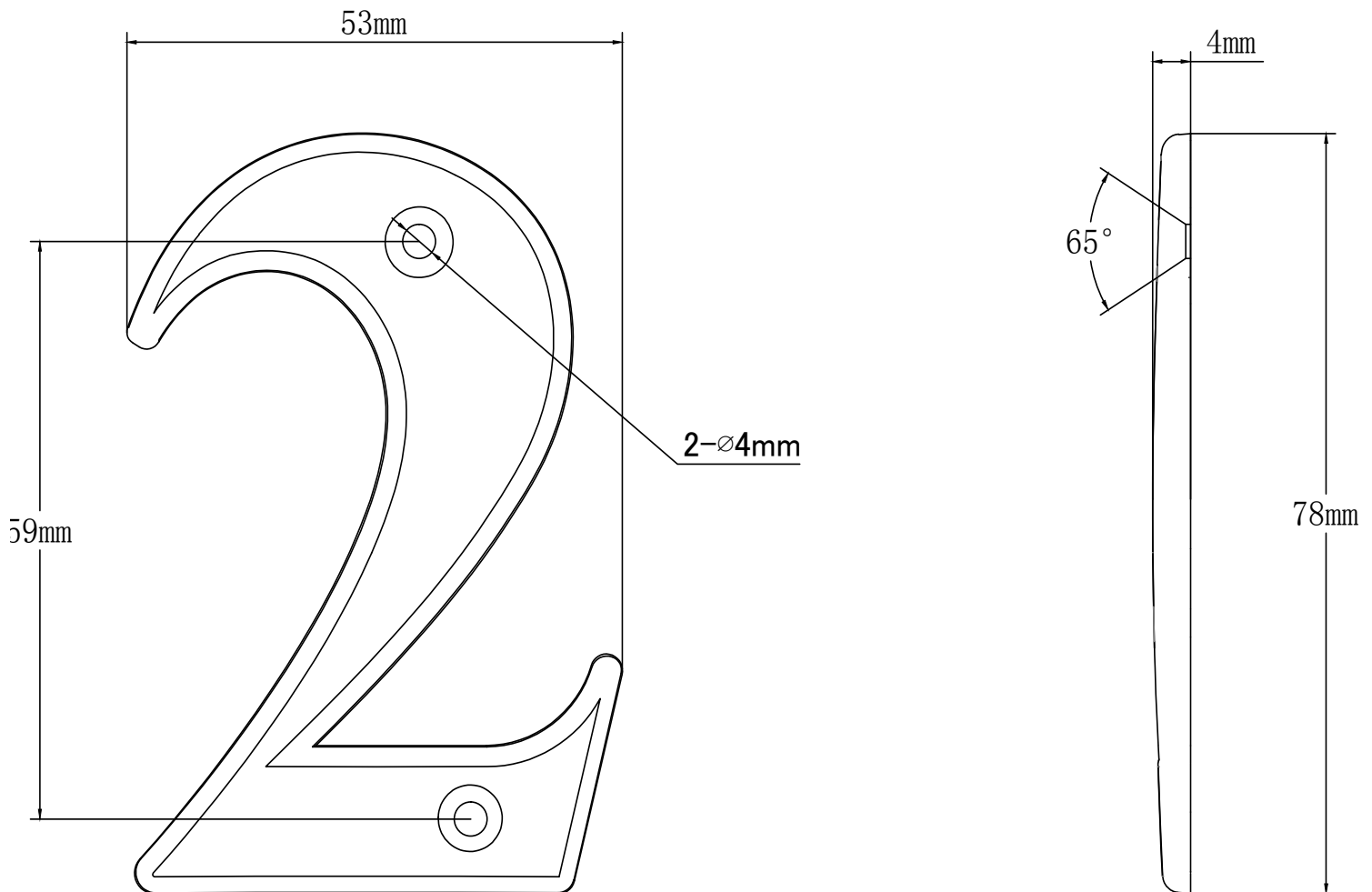


## PRODUCT DESCRIPTION

Part of our perfectly suited Quantum range of door hardware, these Letters & Numerals are a perfect addition to any door.

## FEATURES & BENEFITS

- Part of the fully suited Quantum Range
- Eight finishes available; White, Black, Chrome, Gold, Satin Silver, Flint, Tungsten and Antique Black
- 10 Year surface guarantee on powder coated finishes, 5 Year surface guarantee on plated finishes
- Coating tested to BS.EN: 2007 Grade 5



## PACKAGING

Each outer box contains 100 individually bagged numbers, each with colour matched screws.

## MAINTENANCE

To maintain a high quality appearance and operation we recommend that all external hardware is cleaned routinely, and moving parts are lightly lubricated a minimum of twice a year. Products used within a 1 mile radius of coastal areas, building sites or large industrial areas, more regular cleaning will be required to prevent build up of corrosive contaminants.