



STAINLESS LBP LEVER/PAD DOOR HANDLE



PRODUCT DESCRIPTION

Made from high quality, 304 grade stainless steel, the Endurance Long Back Plate door handle features unrivalled corrosion resistance and a sleek, contemporary design. As part of the Endurance door furniture range, the Stainless Steel Long Back Plate is perfectly suited with other products for a coordinated look.

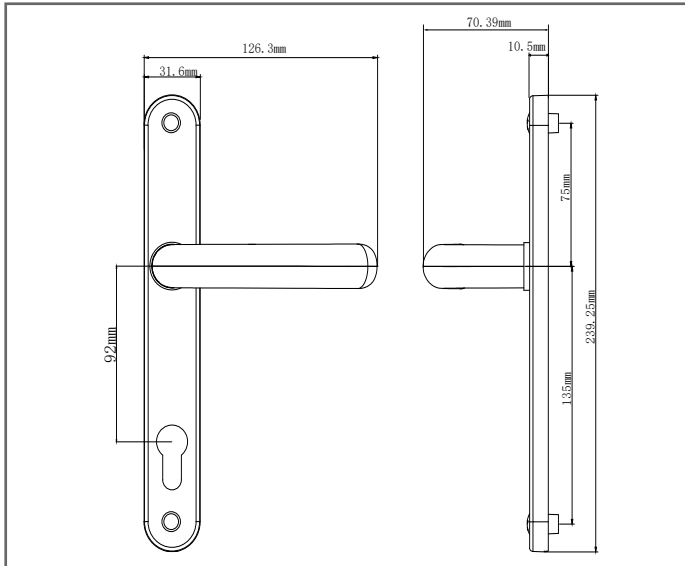
FEATURES & BENEFITS

- Elegant ergonomic design with superior aesthetics
 - Part of the fully suited Endurance Range
 - Available in inline lever/pad and offset lever/pad
- Six finishes available; White, Black, Chrome, Gold, Brushed Stainless, and Flint
 - 10 Year mechanical guarantee
 - 25 Year surface guarantee
- Coating tested to BS.EN: 2007 Grade 5

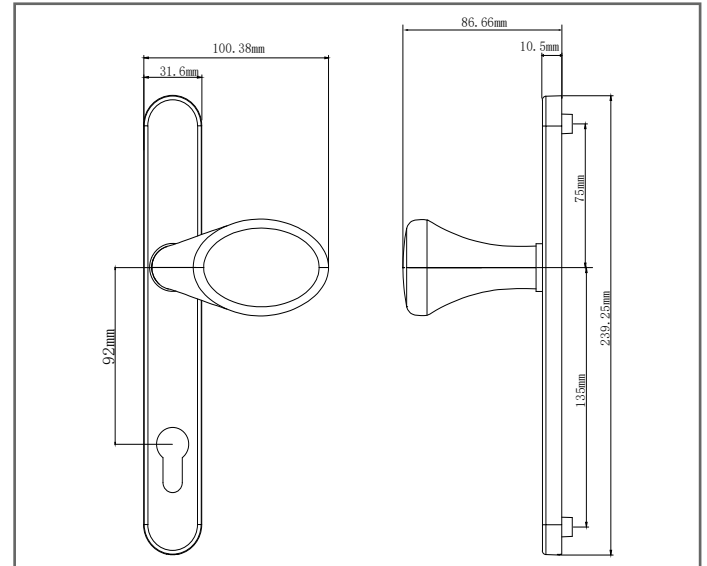


STAINLESS LBP LEVER/PAD DOOR HANDLE

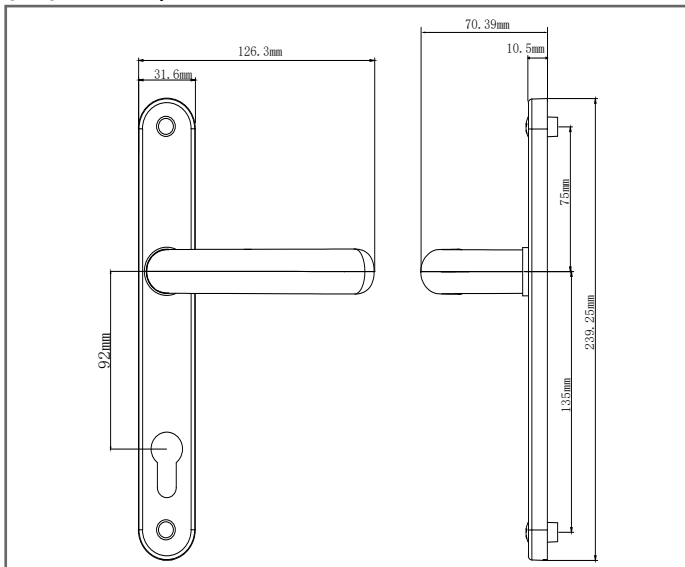
INLINE LEVER/PAD INTERNAL HANDLE



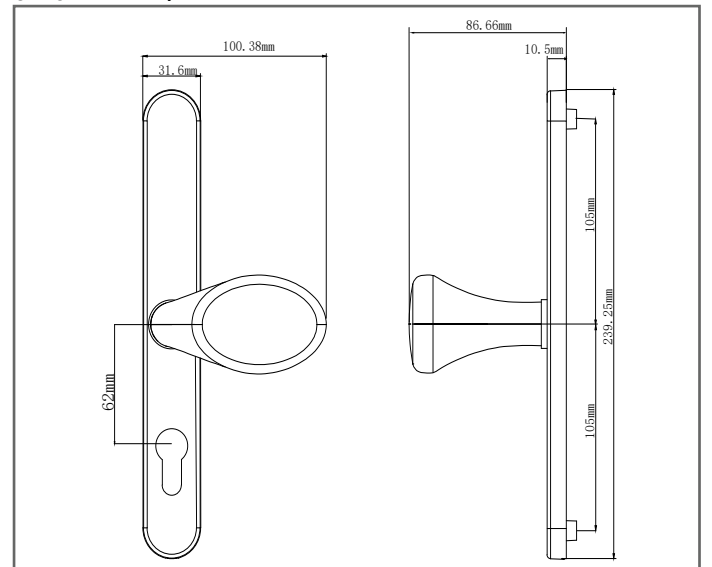
INLINE LEVER/PAD EXTERNAL HANDLE



OFFSET LEVER/PAD INTERNAL HANDLE



OFFSET LEVER/PAD EXTERNAL HANDLE



PACKAGING

Each outer box contains 20 individually boxed handles, each with screws and spindles included.

MAINTENANCE

To maintain a high quality appearance and operation we recommend that all external hardware is cleaned routinely, and moving parts are lightly lubricated a minimum of twice a year. Products used within a 1 mile radius of coastal areas, building sites or large industrial areas, more regular cleaning will be required to prevent build up of corrosive contaminants.